

# WK Series

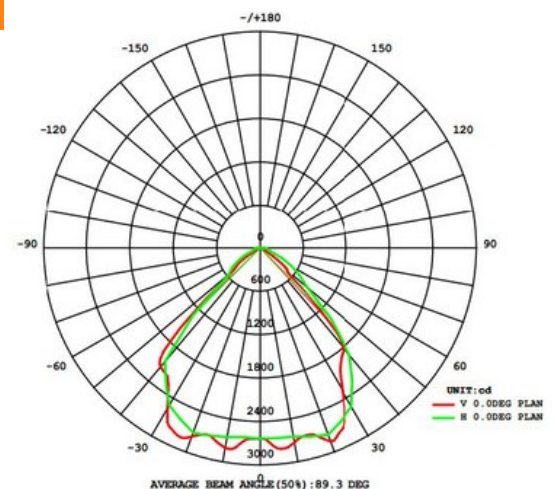
80w 100w 120w 150w



WK Series mounting type could be ceiling, grounding, and can be installed on wall, on fence, and street light type. The multiple application make this lamp the most popular model among our led ex-proof. Also our designer let him covers from 30w to 250w, almighty. Which make it universal for all height use. You can install it in 12-13 meter high, or you can install it 5-7 meter high. Today, WK Series is Atex certified. Applicable to Zone 2 & Zone 22. Temperature class T1-T5.

<b>Protection Degree</b>	IP66
<b>Ambient Temperature</b>	-30°C ~ +60°C
<b>Rules of Compliance</b>	EN 60079-0:2012 EN 60079-15:2009 EN 60079-31:2009
<b>Certificate</b>	IEP16ATEX0449/PCEC/CE/RoHS
<b>Body</b>	Copper free cast aluminum
<b>Paintings</b>	External epoxy powders
<b>Screws</b>	External stainless steel
<b>Cover</b>	Tempered glass
<b>Power</b>	80W 100W 120W 150W
<b>Power Factor</b>	0.98
<b>Rated Voltage</b>	90-264VAC
<b>Lumen Efficiency</b>	910lm/w
<b>Color Temperature</b>	2700-6500k
<b>CRI</b>	80
<b>Measurement</b>	445*310*175mm
<b>Weight</b>	14.0KG

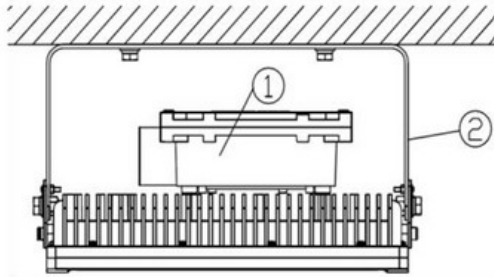
## Lighting Distribution Curve



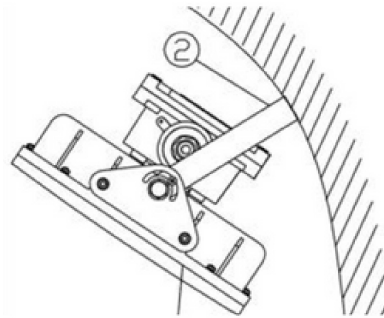
# WK Series

80w 100w 120w 150w

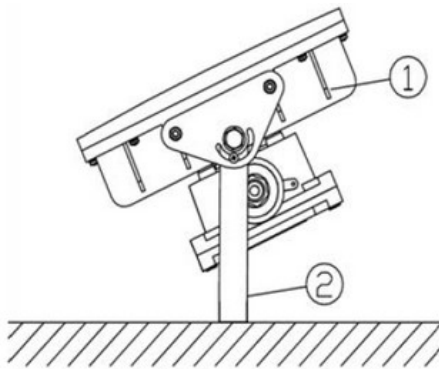
## Mounting Type



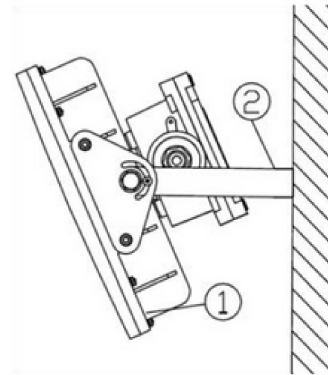
(1) Ceiling Type



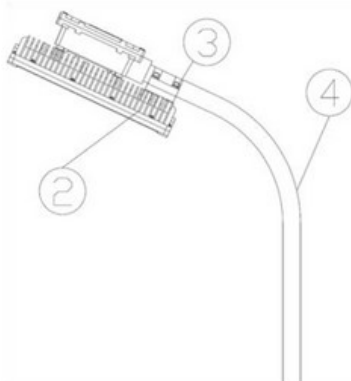
(2) Wall Type



(3) Grounding Type



(4) Wall Type



(5) Street Light

TYPE	WATT.
------	-------

WK80	80
WK100	100
WK120	120
WK150	150